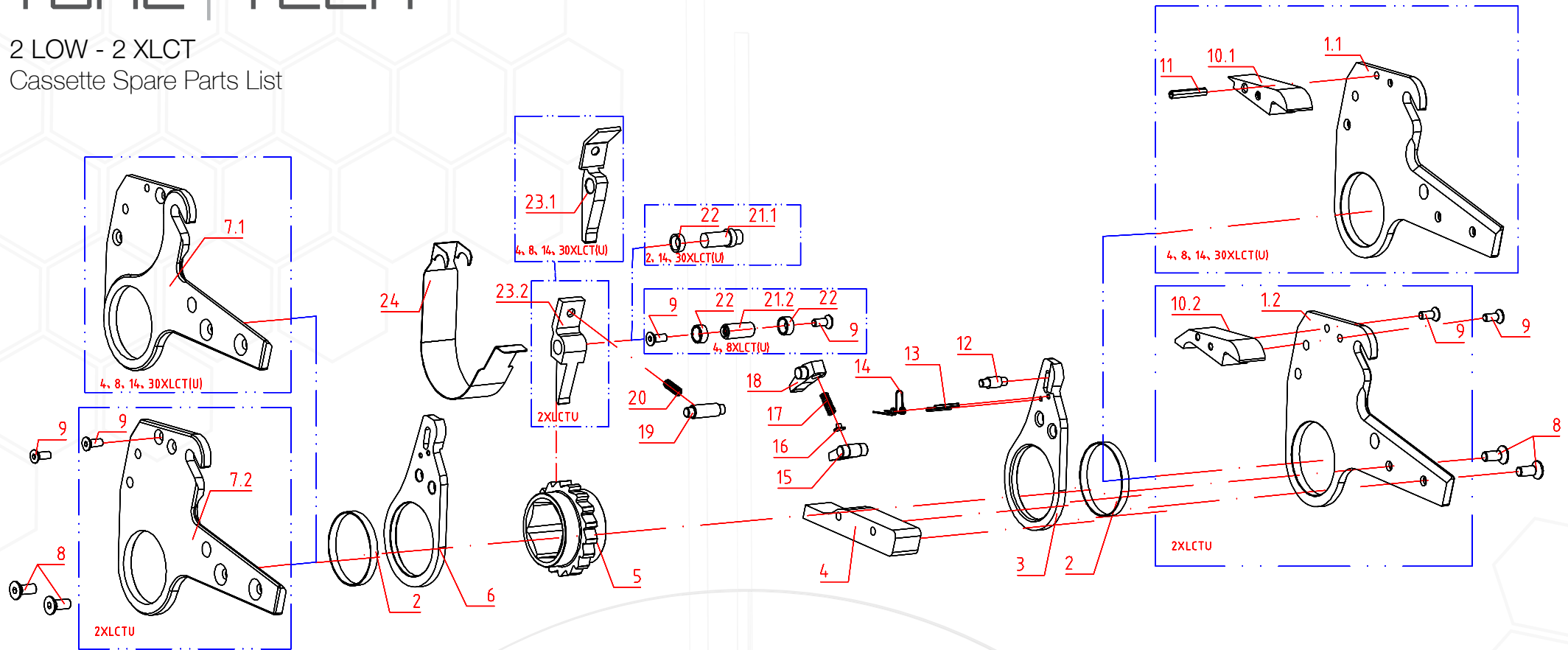


2 LOW - 2 XLCT

Cassette Spare Parts List

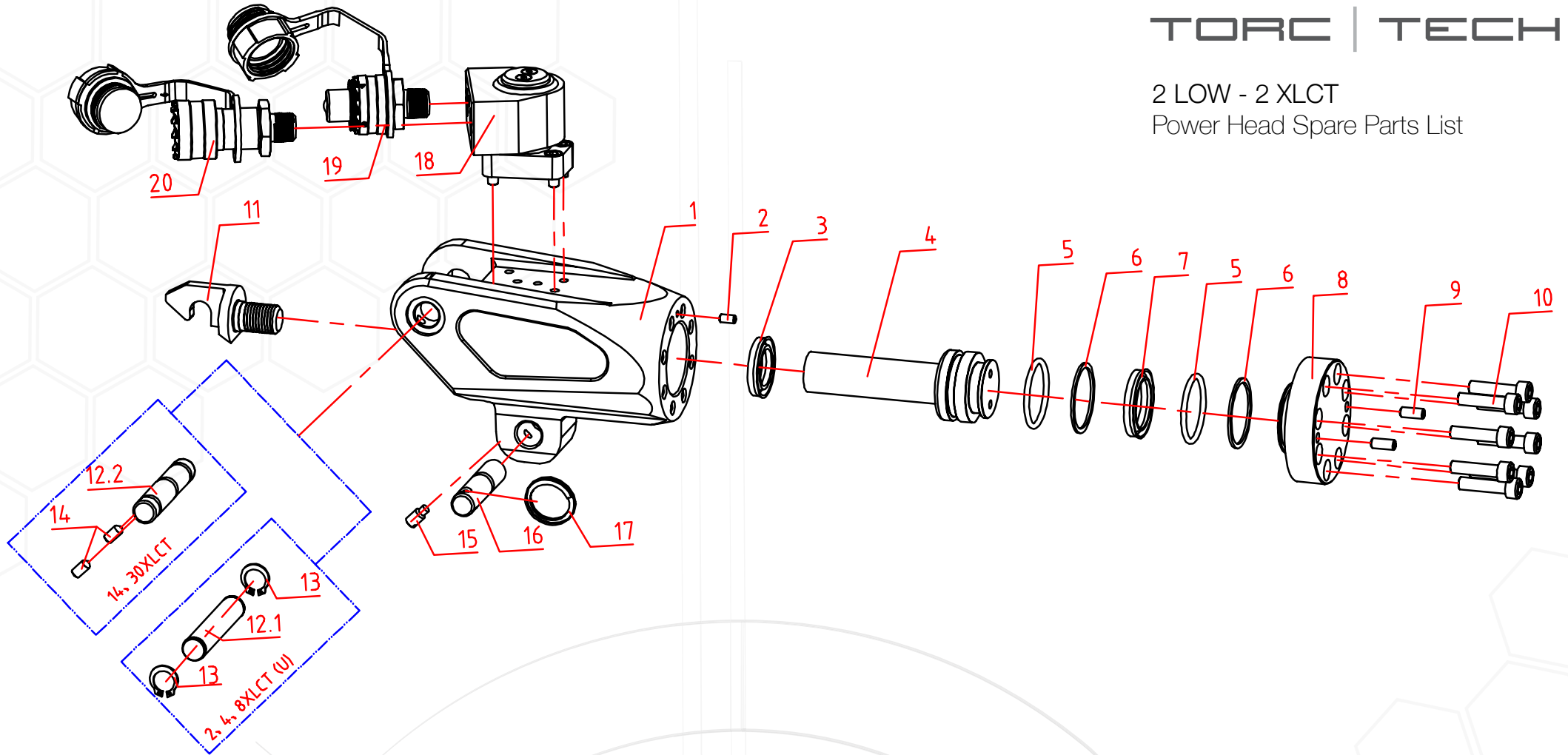


Part No	Description	Qty.
SP2LC-01.2	RIGHT SIDE PLATE	1
SP2LC-02	BRASS BUSHING	2
SP2LC-03	LEFT DRIVE PLATE	1
SP2LC-04	REACTION BLOCK EXTENSION	1
SP2LC-05	HEX RATCHET	1
SP2LC-06	RIGHT DRIVE PLATE	1
SP2LC-07.2	LEFT SIDE PLATE	1
SP2LC-08	SCREW	4

Part No	Description	Qty.
SP2LC-09	SCREW	4
SP2LC-10.2	TOP SPACER	1
SP2LC-11	ROLL PIN	1
SP2LC-12	DRIVE PIN	1
SP2LC-13	ROLL PIN	2
SP2LC-14	DRIVE PIN SPRING	1
SP2LC-15	SECONDARY DRIVE PAWL	1
SP2LC-16	SPRING RING	1

Part No	Description	Qty.
SP2LC-17	TENSION SPRING	1
SP2LC-18	PRIMARY DRIVE PAWL	1
SP2LC-19	SPRING SPACER	1
SP2LC-20	TENSION SPRING	1
SP2LC-21.1	ROLL PIN	1
SP2LC-22	SPACER	1
SP2LC-23.2	REACTION PAWL	1
SP2LC-24	SCHROUD	1

2 LOW - 2 XLCT Power Head Spare Parts List



Part No	Description	Qty.
SP2LP-00	SEAL KIT	1
SP2LP-01	HOUSING	1
SP2LP-02	SCREW	1
SP2LP-04	PISTON ROD ASSAMBLY	1
SP2LP-08	END CAP	1

Part No	Description	Qty.
SP2LP-09	SCREW	2
SP2LP-10	SCREW	8
SP2LP-11	ROD END	1
SP2LP-12.1	FIXED UPPER PIN	1
SP2LP-13	RETAINING RING	1

Part No	Description	Qty.
SP2LP-14	SCREW	2
SP2LP-15	SCREW WITH SPRING	2
SP2LP-16	SHORT LINK PIN	2
SP2LP-17	RING	1
SP2LP-18	SWIVEL	1